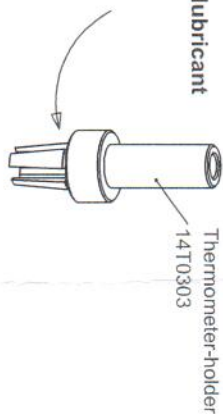
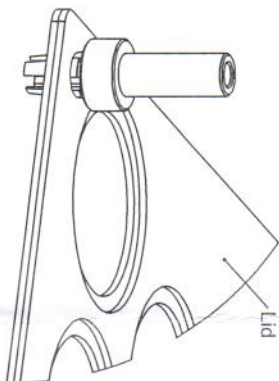


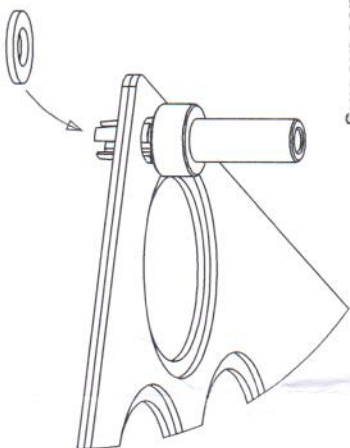
1. Apply some lubricant
 - WD40
 - Grease



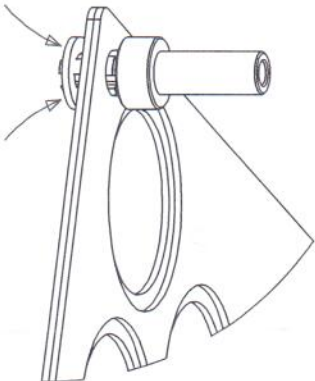
2. Place the holder as shown below



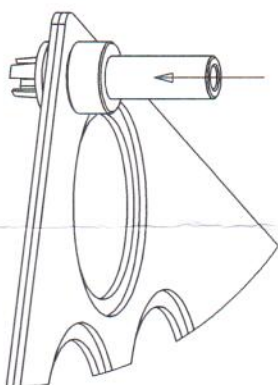
3. Place the ring



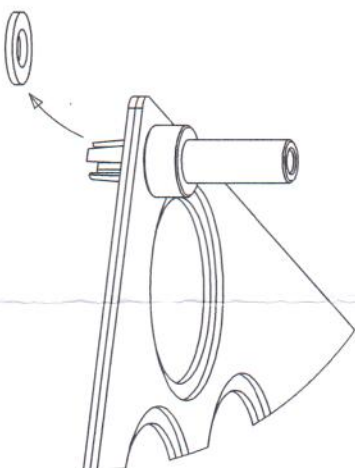
4. Apply some gentle force onto the ring from below



5. Keep the ring in pressed position and then push down the holder. Make sure it snaps into the lid

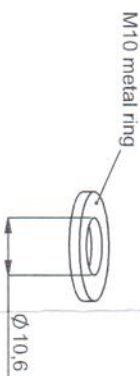


6. When fitted, remove the ring



Demounting: reverse the procedure

Keep the ring for future mounting/demounting



American projection 		Material:	
TAMSON Instruments Van 't Hoffstraat 12 2665 JL Bleswijk www.tamson.com		Name: Assembly thermometer holder Project / Product: E20 thermometer Drawn by: Outline / PM Scale: 1:1 Date: 29-3-2017 Revision: 1.03	
Filename: 14T0303.02.03 assembly E20 thermometer holder			